

# ELIMINATOR<sup>®</sup>

## LIGHTING



Power Input: AC 100-120V  
60/60Hz  
Power consumption: 12W  
Circuit breaker: 3 A  
T<sub>a</sub>=25°C T<sub>c</sub>=30°C  
MADE IN CHINA



\*Read user manual before use.  
\*Unit must be grounded.  
\*Unplug unit from wall before servicing.

# MBDMX-PLUS

## User Manual

©2023 **Eliminator Lighting** all rights reserved. Information, specifications, diagrams, images, and instructions herein are subject to change without notice. Eliminator logo and identifying product names and numbers herein are trademarks of Eliminator Lighting. Copyright protection claimed includes all forms and matters of copyrightable materials and information now allowed by statutory or judicial law or hereinafter granted. Product names used in this document may be trademarks or registered trademarks of their respective companies and are hereby acknowledged. All non-Eliminator brands and product names are trademarks or registered trademarks of their respective companies.

**Eliminator Lighting** and all affiliated companies hereby disclaim any and all liabilities for property, equipment, building, and electrical damages, injuries to any persons, and direct or indirect economic loss associated with the use or reliance of any information contained within this document, and/or as a result of the improper, unsafe, insufficient and negligent assembly, installation, rigging, and operation of this product.

**Eliminator Lighting**

6122 S. Eastern Ave. Los Angeles, CA. 90040  
323-582-2650 | Fax 323-532-2941 | [www.adj.com](http://www.adj.com) | [info@adj.com](mailto:info@adj.com)

**ADJ SUPPLY Europe B.V**

Junostraat 2 6468 EW Kerkrade, The Netherlands  
+31 (0)45 546 85 00 | Fax +31 45 546 85 99  
[www.americandj.eu](http://www.americandj.eu) | [info@americandj.eu](mailto:info@americandj.eu)

**ADJ PRODUCTS GROUP Mexico**

AV Santa Ana 30 Parque Industrial Lerma, Lerma, Mexico 52000  
+52 (728) 282-7070

**DOCUMENT VERSION**



Due to additional product features and/or enhancements, an updated version of this document may be available online. Please check [www.adj.com](http://www.adj.com) for the latest revision/update of this manual before beginning installation and/or programming.

Date	Document Version	Software Version >	DMX Channel Mode	Notes
07/13/23	1.0	N/A	2 ch	Initial release

# CONTENTS

<b>General Information</b>	<b>4</b>
<b>Limited Warranty (USA Only)</b>	<b>5</b>
<b>Warranty Registration   Description   Features</b>	<b>6</b>
<b>Safety Guidelines</b>	<b>7</b>
<b>Maintenance Guidelines</b>	<b>8</b>
<b>DMX Set Up</b>	<b>9</b>
<b>Operating Instructions</b>	<b>11</b>
<b>UC IR Remote Control</b>	<b>13</b>
<b>Mounting</b>	<b>14</b>
<b>Circuit Breaker</b>	<b>15</b>
<b>DMX Traits</b>	<b>16</b>
<b>Dipswitch Settings</b>	<b>17</b>
<b>DMX Address Quick Reference Chart</b>	<b>18</b>
<b>Specifications</b>	<b>19</b>

# GENERAL INFORMATION

## INTRODUCTION

Please read and understand all instructions in this manual carefully and thoroughly before attempting to operate these products. These instructions contain important safety and use information.

## UNPACKING

This fixture has been thoroughly tested and has been shipped in perfect operating condition. Carefully check the shipping carton for damage that may have occurred during shipping. If the carton appears to have been damaged, carefully inspect the unit for damage and be sure all accessories necessary to operate the unit have arrived intact. In the event damage has been found or parts are missing, please contact our customer support team for further instructions. Please do not return this kit to your dealer without first contacting customer support at the number listed below. Please do not discard the shipping carton in the trash. Please recycle whenever possible.

## CUSTOMER SUPPORT

Tel: (323) 213-4592 | Fax: (323) 582-2941

[www.adj.com](http://www.adj.com) | [support@eliminatorlighting.com](mailto:support@eliminatorlighting.com)

To purchase parts online, visit [parts.adj.com](http://parts.adj.com).

**Warning!** To prevent or reduce the risk of electrical shock or fire, do not expose this unit to rain or moisture.

**Caution!** There are no user serviceable parts inside this unit. Do not attempt any repairs yourself, as doing so will void your manufacturer's warranty. In the unlikely event your unit may require service, please contact Eliminator Lighting.

*PLEASE recycle the shipping carton when ever possible.*

## LIMITED WARRANTY (USA ONLY)

- A. Eliminator Lighting, an ADJ Products, LLC brand, hereby warrants, to the original purchaser, Eliminator Lighting products to be free of manufacturing defects in material and workmanship for a prescribed period from the date of purchase (see specific warranty period on reverse). This warranty shall be valid only if the product is purchased within the United States of America, including possessions and territories. It is the owner's responsibility to establish the date and place of purchase by acceptable evidence, at the time service is sought.
- B. For warranty service, you must obtain a Return Authorization number (RA#) before sending back the product-please contact ADJ Products, LLC Service Department at 800-322-6337. Send the product only to the Eliminator Lighting factory. All shipping charges must be pre-paid. If the requested repairs or service (including parts replacement) are within the terms of this warranty, Eliminator Lighting will pay return shipping charges only to a designated point within the United States. If the entire instrument is sent, it must be shipped in its original package. No accessories should be shipped with the product. If any accessories are shipped with the product, Eliminator Lighting shall have no liability whatsoever for loss of or damage to any such accessories, or for the safe return thereof.
- C. This warranty is void if the serial number has been altered or removed; if the product is modified in any manner which Eliminator Lighting concludes, after inspection, affects the reliability of the product, if the product has been repaired or service by anyone other than ADJ Products, LLC factory unless prior written authorization was issued to purchaser by Eliminator Lighting; if the product is damaged because not properly maintained as set forth in the instruction manual.
- D. This is not a service contract, and this warranty does not include maintenance, cleaning or periodic check up. During the period specified above, Eliminator Lighting will replace defective parts at its expense with new or refurbished parts, and will absorb all expenses for warranty service and repair labor by reason of defects in material or workmanship. The sole responsibility of Eliminator Lighting under this warranty shall be limited to the repair of the product, or replacement thereof, including parts, at the sole discretion of Eliminator Lighting. All products covered by this warranty were manufactured after August 15, 2012, and bear identifying marks to that effect.
- E. Eliminator Lighting reserves the right to make changes in design and/or improvements upon its products without any obligation to include these changes in any products theretofore manufactured.
- F. No warranty, whether expressed or implied, is given or made with respect to any accessory supplied with products described above. Except to the extent prohibited by applicable law, all implied warranties made by Eliminator Lighting in connection with this product, including warranties of merchantability or fitness, are limited in duration to the warranty period set forth above. And no warranties, whether expressed or implied, including warranties of merchantability or fitness, shall apply to this product after said period has expired. The consumer's and/or Dealer's sole remedy shall be such repair or replacement as is expressly provided above; and under no circumstances shall Eliminator Lighting be liable for any loss or damage, direct or consequential, arising out of the use of, or inability to use, this product.
- G. This warranty is the only written warranty applicable to Eliminator Lighting products and supersedes all prior warranties and written descriptions of warranty terms and conditions heretofore published.

## LIMITED WARRANTY PERIODS

- **All Eliminator Lighting products (except laser diodes) = 1-year (365 days) Limited Warranty** (Such as: Special Effect Lighting, Intelligent Lighting, UV lighting, Strobes, Fog Machines, Bubble Machines, Mirror Balls, Par Cans, Trussing, Lighting Stands etc. excluding LED and lamps)
- **Laser Products = 1 Year (365 Days) Limited Warranty** (excludes laser diodes which have 6 month limited warranty)
- **Batteries = 180 Day Limited Warranty** (excluding batteries which have a 180 day limited warranty)

## WARRANTY RETURNS

All returned service items, whether under warranty or not, must be freight pre-paid and accompanied by a return authorization (R.A.) number. The R.A. number must be clearly written on the outside of the return package. A brief description of the problem as well as the R.A. number must also be written down on a piece of paper and included in the shipping container. If the unit is under warranty, you must provide a copy of your proof of purchase invoice. Items returned without an R.A. number clearly marked on the outside of the package will be refused and returned at customer's expense. You may obtain an R.A. number by contacting customer support.

## DESCRIPTION

This device can control up to 4 units simultaneously and allow for a synchronized motor rotation and universal speed. Circuit Breaker protection is included. ***This device is meant for indoor use only.***

This device comes with 2 DMX channels: 1 channel to adjust the motor speed/direction, and another channel to turn the pinspots on and off. 1/4" socket is offered for On/Off control with optional UC IR controller (mirror ball and UC IR remote not included).

## FEATURES

- Micro-Stepping Motors for Smooth Rotation
- Uses Two DMX Channels
- DMX-512 Protocol Compatible
- Variable Head Rotation Speed
- Built-In Rigging Point
- Stand-Alone or Primary/Secondary Operation
- Linkable
- Two Built-In DMX Controlled AC Power Sockets
- Heavy Duty Mirror Ball Motor
- Rated for 20" Mirror Balls
- UC IR Control (Sold Separately)

## SAFETY GUIDELINES

This device is a sophisticated piece of electronic equipment. To guarantee a smooth operation, it is important to follow all instructions and guidelines in this manual. Eliminator Lighting is not responsible for injury and/or damages resulting from the misuse of this device due to the disregard of the information printed in this manual. Only the original included parts and/or accessories for this device should be used. Any modifications to the device and/or included accessories will void the original manufacturer's warranty and increase the risk of damage and/or personal injury.



### PROTECTION CLASS 1 – DEVICE MUST BE PROPERLY GROUNDED



**DO NOT ATTEMPT TO USE THIS DEVICE WITHOUT BEING FULLY TRAINED ON ITS USAGE. ANY DAMAGE OR REPAIRS TO THIS DEVICE OR ANY LIGHTING FIXTURES CONTROLLED BY THIS DEVICE RESULTING FROM IMPROPER USE, AND/OR THE DISREGARD OF THE SAFETY AND OPERATION GUIDELINES IN THIS DOCUMENT, VOIDS THE MANUFACTURER'S WARRANTY, AND ARE NOT SUBJECT TO ANY WARRANTY CLAIMS AND/OR REPAIRS, AND MAY ALSO VOID THE WARRANTY FOR ANY NON-ELIMINATOR LIGHTING DEVICES. KEEP FLAMMABLE MATERIALS AWAY FROM DEVICE.**



### DRY LOCATIONS USE ONLY!

**DO NOT EXPOSE DEVICE TO RAIN, MOISTURE, AND/OR SEVERE ENVIRONMENTS!**

**DO NOT SPILL WATER AND/OR LIQUIDS ON OR INTO THE DEVICE!**

- AVOID handling with brute force when transporting or operating.
- DO NOT expose any part of the device to open flame or smoke. Keep device away from heat sources such as radiators, heat registers, stoves, or other appliances (including amplifiers) that produce heat.
- DO NOT use device in extreme and/or severe environments.
- DO NOT shake device, and avoid brute force when installing and/or operating fixture.
- DO NOT operate device if the power cord is frayed, crimped, damaged and/or if any of the power cord connectors are damaged and do not insert into the fixture securely with ease.
- NEVER force a power cord connector into the device. If the power cord or any of its connectors are damaged, replace it immediately with a new one of the same power rating.
- Allow approx. 6" (15cm) between this device and other devices or a wall for proper cooling.
- Always disconnect device from main power source before performing any type of service and/or cleaning procedure.
- Only handle the power cord by the plug end, and never pull out the plug by tugging the wire portion of the cord.
- Consistent operational breaks will ensure fixture will function properly for many years.
- ONLY use the original packaging and materials to transport the fixture in for service.

## MAINTENANCE GUIDELINES



**DISCONNECT POWER BEFORE PERFORMING ANY MAINTENANCE!**

### CLEANING

Frequent cleaning is recommended to ensure proper function and an extended life. The frequency of cleaning depends on the environment in which the device operates: damp, smoky, or particularly dirty environments can cause greater accumulation of dirt on the fixture's surface and vents. Clean the external surface regularly with a soft cloth to avoid dirt/debris accumulation.

**NEVER** use alcohol, solvents, or ammonia-based cleaners.

### TROUBLESHOOTING

Listed below is a common problem that the user may encounter, with a potential solution.

#### ***Unit not responding to DMX:***

Check that the DMX cables are connected and wired correctly (pin 3 is "hot"; on some other DMX devices pin 2 may be "hot"). Also, check that all cables are connected to the right connectors, as the order in which in the inputs and outputs are connected affects the unit's operation.

### MAINTENANCE

Regular inspections are recommended to ensure proper function and extended life. There are no user serviceable parts inside this fixture. Please refer all other service issues to an authorized Eliminator service technician. Should you need any spare parts, please order genuine parts from your local Eliminator dealer.

Please refer to the following points during routine inspections:

- A detailed electrical check by an approved electrical engineer every three months, to make sure the circuit contacts are in good condition and prevent overheating.
- Be sure all screws and fasteners are securely tightened at all times. Loose screws may fall out during normal operation, resulting in damage or injury as larger parts could fall.
- Check for any deformations on the housing, rigging hardware, and rigging points (ceiling, suspension, trussing). Deformations in the housing could allow for dust to enter into the device. Damaged rigging points or unsecured rigging could cause the device to fall and seriously injure a person(s).
- Electric power supply cables must not show any damage, material fatigue, or sediments.

**NEVER** remove the ground prong from the power cable.



## DMX SETUP

**Power Supply:** Always make sure that the voltage of the power source matches the required voltage of the device before plugging in your device.

**DMX-512:** DMX is short for Digital Multiplex. This is a universal protocol used as a form of communication between intelligent fixtures and controllers. A DMX controller sends DMX data instructions from the controller to the fixture. DMX data is sent as serial data that travels from fixture to fixture via the DATA “IN” and DATA “OUT” XLR terminals located on all DMX fixtures (most controllers only have a DATA “OUT” terminal).

**DMX Linking:** DMX is a language allowing all makes and models of different manufacturers to be linked together and operate from a single controller, as long as all fixtures and the controller are DMX compliant. To ensure proper DMX data transmission, try to use the shortest cable path possible when linking several DMX fixtures. The order in which fixtures are connected in a DMX line does not influence the DMX addressing. For example, a fixture assigned a DMX address of 1 may be placed anywhere in a DMX line: at the beginning, at the end, or anywhere in the middle. When a fixture is assigned a DMX address of 1, the DMX controller knows to send DATA assigned to address 1 to that unit, no matter where it is located in the DMX chain.

**Data Cable (DMX Cable) Requirements (For DMX Primary/Secondary Operation):** This unit, as well as any DMX controller that might be used to control this unit, requires an approved DMX-512 110 Ohm data cable for data input and data output. We recommend Accu-Cable DMX cables. If you are making your own cables, be sure to use standard 110-120 Ohm shielded cable (This cable may be purchased at almost all professional sound and lighting stores). Your cables should be made with a male XLR connector at one end and a female XLR connector at the other. Also remember that DMX cable must be daisy chained and cannot be split.



Figure 1

# DMX SETUP

**Notice:** Be sure to follow figures two and three when making your own cables. Do not use the ground lug on the XLR connector. Do not connect the cable's shield conductor to the ground lug or allow the shield conductor to come into contact with the XLR's outer casing. Grounding the shield could cause a short circuit and erratic behavior.

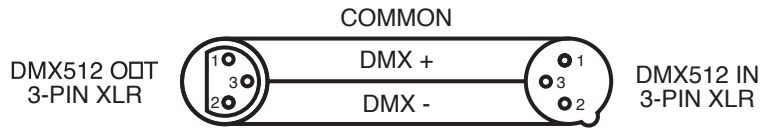


Figure 2

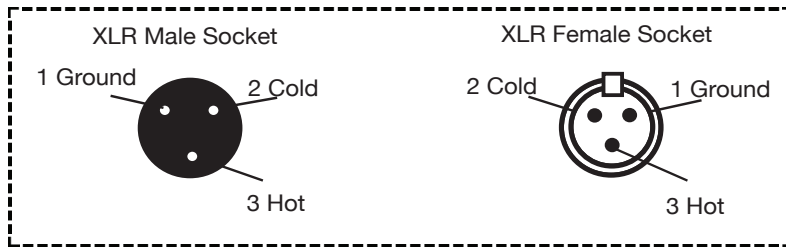
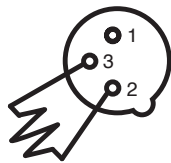


Figure 3

XLR Pin Configuration
Pin 1 = Ground
Pin 2 = Data Compliment (negative)
Pin 3 = Data True (positive)

**Special Note: Line Termination.** When longer runs of cable are used, you may need to use a terminator on the last unit to avoid erratic behavior. A terminator is a 110-120 ohm 1/4 watt resistor which is connected between pins 2 and 3 of a male XLR connector (DATA + and DATA -). This unit is inserted in the female XLR connector of the last unit in your daisy chain to terminate the line. Using a cable terminator (ADJ part number Z-DMX/T) will decrease the possibilities of erratic behavior.



Termination reduces signal errors and avoids signal transmission problems and interference. It is always advisable to connect a DMX terminal, (Resistance 120 Ohm 1/4 W) between PIN 2 (DMX-) and PIN 3 (DMX +) of the last fixture.

Figure 4

**5-Pin XLR DMX Connectors.** Some manufacturers use 5-pin DMX-512 data cables for DATA transmission in place of 3-pin. 5-pin DMX fixtures may be implemented in a 3-pin DMX line by inserting an adapter into the line. These adapters are readily available at most electronics stores. The chart below details a proper cable conversion.

3-Pin XLR to 5-Pin XLR Conversion		
Conductor	3-Pin XLR Female (Out)	5-Pin XLR Male (In)
Ground/Shield	Pin 1	Pin 1
Data Compliment (- signal)	Pin 2	Pin 2
Data True (+ signal)	Pin 3	Pin 3
Not Used		Do Not Use
Not Used		Do Not Use

# OPERATING INSTRUCTIONS

## ***Operating Modes:***

This device features three different operating modes. Always be sure to disconnect the power supply after changing the operating mode in order to allow the unit to reset to the new operating mode. Failure to disconnect the power supply after changing the operating mode may cause the unit to function improperly.

- *Stand alone mode* - The unit will rotate to the pre-defined speed set with the dip switches. You can also use the optional UC IR remote (sold separately) to control various functions.
- *Primary/Secondary mode* - You can daisy chain up to 16 units together to get synchronized motor rotation. You can also use the optional UC IR remote to control various functions.
- *DMX control mode* - This function will allow you to control each unit's individual traits with a standard DMX 512 controller.

## ***Stand Alone Mode:***

This function allows a single unit to operate to any of the presets using the dipswitches. Only use this function when running a single unit, or when running several units as individuals. Please note this function does not allow individual control of the DMX traits.

1. To activate the Stand-Alone mode, locate the dipswitches on the side of the unit and flip dipswitch 10 to the "on" position.
2. Follow the dipswitch chart to select a preset speed and to control mirror ball rotation direction.
3. Attach the mirror ball to the motor and connect main power. Please note that the optional UC IR remote (sold separately) may also be used to control the motor.

## ***Primary/Secondary Mode:***

This function will allow up to 16 units to be linked together without the use of an external controller. In a Primary/Secondary set up, one unit will act as the controlling unit, while the others will react to the controlling unit's presets. Any unit can act as a Primary or as a Secondary. Please note this function does not allow individual control of the DMX traits and will only run to the units built-in programs.

1. Using standard XLR microphone cables, as described in the **DMX Set Up** section of this manual, daisy chain your units together via the XLR connectors on the rear of each unit. Remember the male XLR connector is the input, and the female XLR connector is the output. The first unit in the chain (primary) will use the female XLR connector only. The last unit in the chain will use the male XLR connector only. For longer cable runs, we suggest the use of a terminator at the last fixture.
2. Select one device to act as the "primary" unit. Locate the dipswitches on the side of the unit and flip dipswitch 10 to the "on" position.
3. Follow the chart shown in the **Dipswitch Settings** section of this manual to select a desired rotation speed and direction. Please note that this selection will be universal throughout all motors in the chain.
4. For all other motors in the chain (which will act as secondaries), set dipswitch 10 to the "off" position.
5. Connect main power to all the motors and they will immediately begin to rotate to the presets of the "primary" unit. Please note that the optional UC IR remote (sold separately) may also be used to control the motor.

## OPERATING INSTRUCTIONS

### **Universal DMX Control:**

This function allows you to use a universal DMX-512 controller to control rotation speed, rotation direction, and the built-in power sockets (usually for pinspots). Operating through a DMX controller allows the freedom to create unique and customized programs tailored to the user's specific individual needs.

The device uses two DMX channels. Channel one controls power sockets located on the side of the unit, as shown below. Channel two controls the motors rotation speed and direction.



1. To control your motor in DMX mode, follow the procedure shown in the **DMX Set Up** section of this manual, as well as the set-up specifications that are included with your DMX controller.
2. Use the DMX controller's faders to control the various DMX traits of this device. Refer to the **DMX Traits** section of this manual for detailed information. You can now create your own programs.
3. When using a DMX controller and setting up for DMX operation, follow the DMX addressing procedure in your controller's manual. All fixtures must follow a specific DMX addressing protocol for proper operation in DMX mode.

### **Notes:**

- For help operating in DMX operation consult the manual included with your DMX controller.
- For longer cable runs (more than a 100 feet) use a terminator on the last fixture.

## UC IR REMOTE CONTROL

The UC-IR infrared remote gives you control of various functions, as listed below. To control the device, connect the included IR receiver cable to the mini input jack located on the side of the device near the dip switches, and aim the remote at the front of the fixture. Maximum range is 30 feet. Please note that the fixture only responds to the remote when the fixture is set to primary mode.

**STAND BY** - Pressing this button will turn the remote control capability on and off.

**FULL ON** - Press to turn a connected light on or off.

**FADE/GOBO** - This button has no assigned function for this device.

**“DIMMER +” and “DIMMER -”** - “Dimmer +” will rotate the ball clockwise, and “Dimmer -” will rotate the ball counter-clockwise.

**STROBE** - Press and hold to activate the strobe effect.

**COLOR** - This button has no assigned function for this device.

**1-9** - Press buttons 1-8 to set rotation speed, where 1 is the fastest and 8 is the slowest. Button 9 will pause/stop the rotation.

**SOUND ON** - This button will set strobe speed on slow (1 Hz).

**SOUND OFF** - This button will set strobe speed on fast (7 Hz).

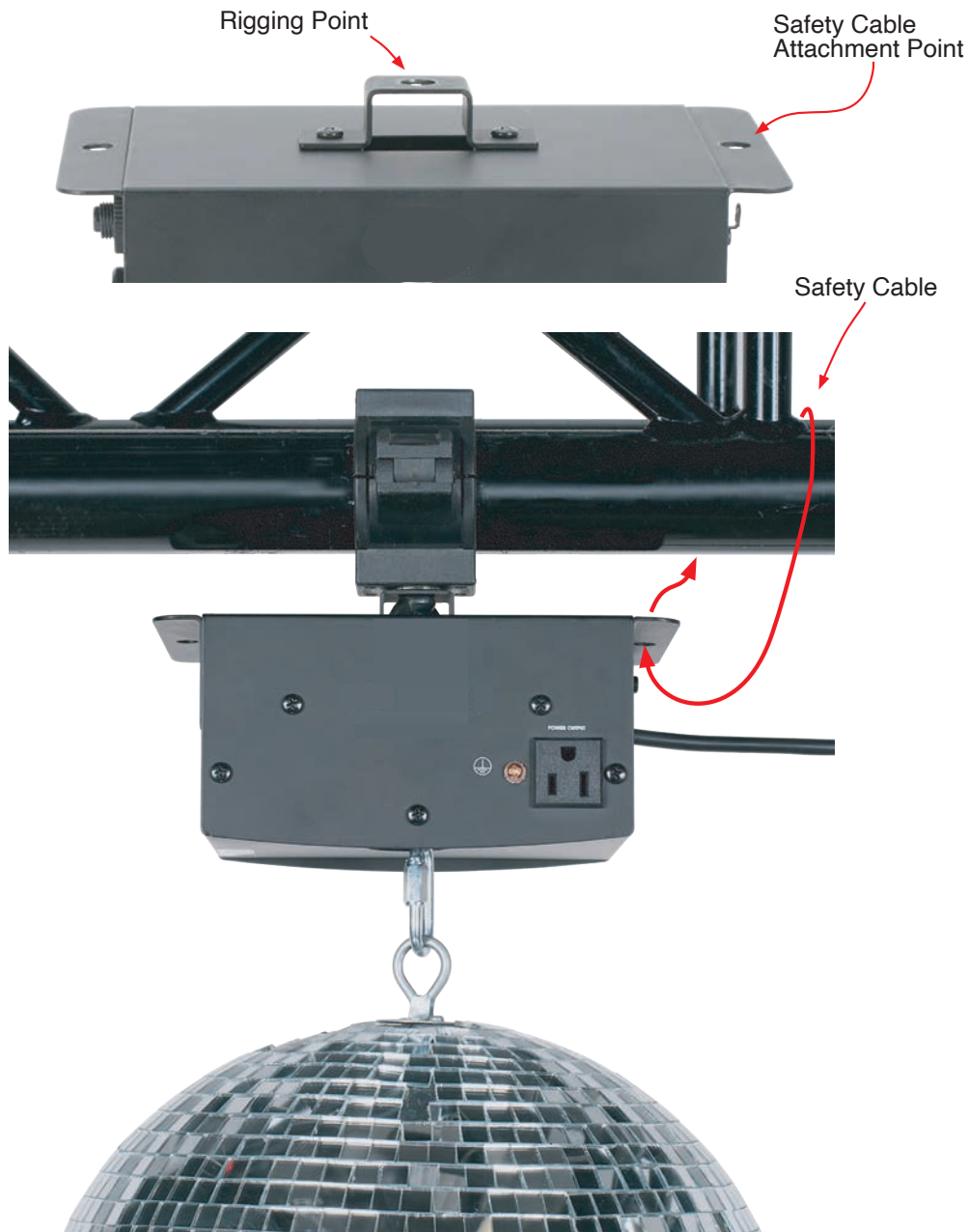
**SHOW 0** - This button will set strobe speed on medium (3.5 Hz).



## MOUNTING

This device includes a built-in rigging point, and two large holes in the base of the unit for use as safety cable attachment points. The rigging point is located on the top of the unit. This rigging point is secured to the fixture by two large Phillips screws. When not in use, the rigging point can be stored inside the top of the unit. Always use the rigging point when the device is hung from a truss or similar suspended location, and secure the fixture with safety cables.

This device can be mounted hanging upside-down from the ceiling, or may hang from the truss using a C-Clamp rated at 50 pounds or higher.



## CIRCUIT BREAKER

This unit is equipped with a 3A Circuit Breaker, or GFI (Ground Fault Interrupt). This circuit breaker is designed to close the power circuit in the event of an internal short or power surge. This will reduce the risk of electrical shock or fire and protect the circuitry. To reset the breaker, push the button until you hear it “pop” back. If the breaker continues to trip, stop using the unit and contact our customer support team, as the unit may need to be returned for service.



## DMX TRAITS

The chart below details the DMX traits in depth. The individual trait can only be accessed by using a universal DMX controller. Note: “Lamp” in channel 1 refers to the power socket located on the front of the motor (this socket is intended to be used with lamps that illuminate up the mirror ball).

CHANNEL	DMX VALUES	FUNCTION
1		<b><i>Lamp</i></b>
	000 - 127	Lamp Off
	128 - 255	Lamp On
2		<b><i>Rotation</i></b>
	000	Stop
	001 - 127	Clockwise Rotation, 5 rpm to 0.5 rpm
	128	Stop
	129 - 255	Counter-clockwise Rotation, 0.5 rpm to 5 rpm



## DIPSWITCH SETTINGS

The chart below details the Primary/Secondary setting for Primary/Secondary configuration. Use this configuration when you will be using two or more fixtures in a Primary/Secondary configuration. **Note:** The “Primary” settings should only be used once at the first motor. Using the “Primary” setting more than once in the chain may result in erratic operation.

SPEED	DIP1	DIP2	DIP3	DIP4	DIP5	DIP6	DIP7	DIP8
0.5 rpm	On	Off	Off	Off	Off	Off	Off	Off
1.0 rpm	Off	On	Off	Off	Off	Off	Off	Off
1.5 rpm	Off	Off	On	Off	Off	Off	Off	Off
2.0 rpm	Off	Off	Off	On	Off	Off	Off	Off
2.5 rpm	Off	Off	Off	Off	On	Off	Off	Off
3.0 rpm	Off	Off	Off	Off	Off	On	Off	Off
4.0 rpm	Off	Off	Off	Off	Off	Off	On	Off
5.0 rpm	Off	Off	Off	Off	Off	Off	Off	On

**Dipswitch 9:** controls rotation direction

- On = Clockwise rotation
- Off = Counter-clockwise rotation

**Dipswitch 10:** control primary/secondary operation

- On = Primary
- Off = Secondary

**Note:** Dipswitch 10 must be in the off position for DMX operation.

The optional MINI=C may be used during primary/secondary operation to stop rotation and black out the electrical socket.



# DMX ADDRESS QUICK REFERENCE CHART

This chart lists DMX dip switch settings for DMX address 1 through 511. Follow the instructions below to configure fixture dip switches with the desired DMX Address.

The numbers on this chart (1-511) represent a DMX address. The Xs and Os along the top and the side of the chart represent dip switch position (“X” for OFF and “O” for ON). Find the desired DMX address from the center chart. Identify the position for dip switches 1-5 from the chart on the left and dip switches 6-9 from the chart on the top. Adjust the dip switches on your fixture to match the position settings of the chart. **Note: dip switch 10 is reserved for special functions, and is not used for setting the DMX address.**

**DMX ADDRESS QUICK REFERENCE CHART**

DIP SWITCHES →

**Dip Switch Position**

DMX DIP Switch Settings X = OFF O = ON		#9	X	X	X	X	X	X	X	O	O	O	O	O	O	O	O				
		#8	X	X	X	X	O	O	O	O	X	X	X	X	O	O	O	O			
		#7	X	X	O	O	X	X	O	O	X	X	O	O	X	X	O	O			
		#6	X	O	X	O	X	O	X	O	X	O	X	O	X	O	X	O			
Dip Switch Position	#1	#2	#3	#4	#5		32	64	96	128	160	192	224	256	288	320	352	384	416	448	480
	X	X	X	X	X	1	33	65	97	129	161	193	225	257	289	321	353	385	417	449	481
	O	X	X	X	X	2	34	66	98	130	162	194	226	258	290	322	354	386	418	450	482
	X	O	X	X	X	3	35	67	99	131	163	195	227	259	291	323	355	387	419	451	483
	O	O	X	X	X	4	36	68	100	132	164	196	228	260	292	324	356	388	420	452	484
	X	X	O	X	X	5	37	69	101	133	165	197	229	261	293	325	357	389	421	453	485
	O	X	O	X	X	6	38	70	102	134	166	198	230	262	294	326	358	390	422	454	486
	X	O	O	X	X	7	39	71	103	135	167	199	231	263	295	327	359	391	423	455	487
	O	O	O	X	X	8	40	72	104	136	168	200	232	264	296	328	360	392	424	456	488
	X	X	X	O	X	9	41	73	105	137	169	201	233	265	297	329	361	393	425	457	489
	O	X	X	O	X	10	42	74	106	138	170	202	234	266	298	330	362	394	426	458	490
	X	O	X	O	X	11	43	75	107	139	171	203	235	267	299	331	363	395	427	459	491
	O	O	X	O	X	12	44	76	108	140	172	204	236	268	300	332	364	396	428	460	492
	X	X	O	O	X	13	45	77	109	141	173	205	237	269	301	333	365	397	429	461	493
	O	X	O	O	X	14	46	78	110	142	174	206	238	270	302	334	366	398	430	462	494
	X	O	O	O	X	15	47	79	111	143	175	207	239	271	303	335	367	399	431	463	495
	O	O	O	O	X	16	48	80	112	144	176	208	240	272	304	336	368	400	432	464	496
	X	X	X	X	O	17	49	81	113	145	177	209	241	273	305	337	369	401	433	465	497
	O	X	X	X	O	18	50	82	114	146	178	210	242	274	306	338	370	402	434	466	498
	X	O	X	X	O	19	51	83	115	147	179	211	243	275	307	339	371	403	435	467	499
	O	O	X	X	O	20	52	84	116	148	180	212	244	276	308	340	372	404	436	468	500
	X	X	O	X	O	21	53	85	117	149	181	213	245	277	309	341	373	405	437	469	501
	O	X	O	X	O	22	54	86	118	150	182	214	246	278	310	342	374	406	438	470	502
	X	O	O	X	O	23	55	87	119	151	183	215	247	279	311	343	375	407	439	471	503
	O	O	O	X	O	24	56	88	120	152	184	216	248	280	312	344	376	408	440	472	504
	X	X	X	O	O	25	57	89	121	153	185	217	249	281	313	345	377	409	441	473	505
	O	X	X	O	O	26	58	90	122	154	186	218	250	282	314	346	378	410	442	474	506
	X	O	X	O	O	27	59	91	123	155	187	219	251	283	315	347	379	411	443	475	507
	O	O	X	O	O	28	60	92	124	156	188	220	252	284	316	348	380	412	444	476	508
	X	X	O	O	O	29	61	93	125	157	189	221	253	285	317	349	381	413	445	477	509
	O	X	O	O	O	30	62	94	126	158	190	222	254	286	318	350	382	414	446	478	510
	X	O	O	O	O	31	63	95	127	159	191	223	255	287	319	351	383	415	447	479	511

**DMX Address**

## **SPECIFICATIONS**

- Heavy Duty DMX Mirror Ball Motor
- Includes two 3-prong Edison sockets to power Pinspots
- 2 DMX Channels:
  - Channel 1: Turns On/Off Pinspots
  - Channel 2: Adjustable motor speed and direction control of mirror ball; For use with up to a 20-inch mirror ball
- Circuit breaker protection (no need to change fuses)
- XLR In/Out
- Primary/Secondary control: Up to 4 MB DMX units can be daisy-chained together for synchronized motor rotation and universal speed, resulting in dramatic visual effects
- 1/4" socket for On/Off control with optional UC IR controller (sold separately)
- Power Draw: @ Max 5rpm 10.5W / .101 amps -@Min 0.5rpm 10.2W / .100amps
- Dimensions (LxWxH): 8" x 4.8" x 5.75" /203x122x146mm
- Weight: 4 lbs. / 2kgs.
- CE Approved



